



Quality Home Elevators by Garaventa Lift  
ELVORON



Creating An Accessible World





## The Elvoron Home Elevator

Once considered a luxury, residential elevators are now in common use in both newly constructed and renovated homes. Safe, reliable, stylish and easy to use, an Elvoron residential elevator can greatly enhance the livability of all levels of your home and significantly increases its value. The Elvoron Residential Elevator has a long list of standard features and a myriad of options ensuring an ideal design for your specific application. Available with your choice of two drive systems and in a wide variety of colors and finishes, ranging from contemporary materials to the classic warmth of wood cabinetry, an Elvoron is sure to compliment your home décor while providing many years of dependable service.

### Why Elvoron? Why Garaventa Lift?

The Elvoron represents the state of the art in residential elevators in terms of design, technology, safety features and interior styling. We offer the Elvoron in both standard and highly customized configurations.

Garaventa Lift is a leading global manufacturer of accessibility lifts and elevators, with factories on three continents and a worldwide network of trained dealers. During the past 30 years Garaventa Lift has designed and built more than 50,000 lifts and elevators. Our team has the skill and experience to handle your project!

### Why buy a Home Elevator?

#### BENEFITS

- Comfortable access to all levels of your home
- Aging in place - no need to move in the future
- Add uniqueness and value to your home
- Good return on access solution investment
- Reduce construction costs by building vertically
- A safer way to travel - use the elevator rather than stairs to carry heavy or awkward loads

#### APPLICATIONS

- Both new construction and renovation
- Detached single family homes
- Single and multiple townhouse projects
- Two story penthouse suites
- Highlight feature in spec homes
- Rooftop Decks

# Engineered for Safety & Reliability

When choosing a residential elevator, it's what you don't see that really counts. Our Elvoron design team selected only heavy duty structural components and well-proven drive and control systems to ensure safety, comfort and long-term reliability.

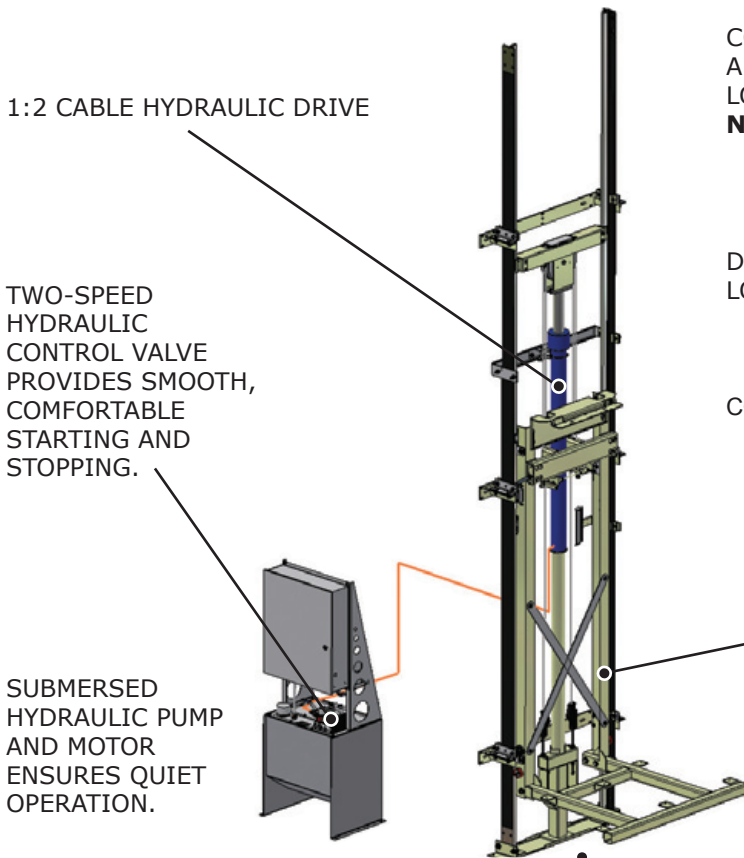
The safety of your family members is as important to us as it is to you. We offer many safety features as standard equipment on all Elvoron models.

- Manual lowering capability
- Battery lowering (standard on hydraulic drive models only)
- Instantaneous safety brake system
- Interlocks to supervise and lock doors
- Illuminated push button operation
- Automatic Car Lighting
- Digital Position Indicator
- Emergency stop and alarm
- UL or CSA certified components
- Low oil level protection (hydraulic drive only)
- Solid car accordion gate
- Gate position safety switch
- Automatic bi-directional floor leveling
- Sturdy 8 lbs. per ft. elevator guide rail system ensures a smooth, quiet ride
- Heavy duty canilevered car support sling provides capacity of up to 1,000 lbs (455 kg).
- Car emergency telephone (recommended option)

## Two Choices of Drive Systems

### Hydraulic Drive

(Premium Ride Quality)



### In-Line Drive

(A Real Space Saver)

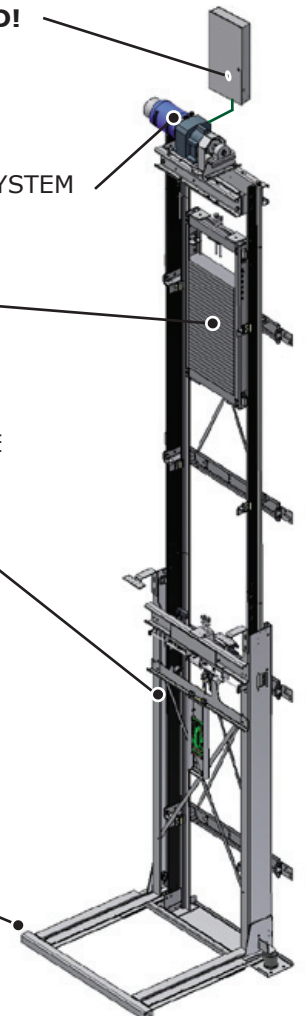
CONTROLLER BOX CAN BE MOUNTED ABOVE THE RAILS OR IN A REMOTE LOCATION UP TO 50 FT. (15.2 M) AWAY. **NO MACHINE ROOM REQUIRED!**

DIRECT DRIVE ELECTRIC MOTOR LOCATED ON TOP OF THE RAIL SYSTEM

COUNTERWEIGHT FRAME

BOTH SYSTEMS UTILIZE THE SAME HEAVY DUTY CAR SLING WHICH PROVIDES UNCOMPROMISED STABILITY

RECOMMENDED PIT DEPTH IS 8" (203 MM). SHALLOWER DEPTHS MAY BE FEASIBLE.



# The Elvoron - Design it Your Way!

## 1 Ceiling

The ceiling is available in white melamine or in wood paneling styled to match the car walls. The ceiling is fitted with four low voltage recessed halogen lights. These are also used for emergency lighting.

## 2 Finishes

Choose from a wide variety of melamine and wood factory finishes, including recessed and raised paneling. Or choose an unfinished car and have the interior custom built on site by a local cabinet maker.

## 3 Car Sizes

The car is available in three standard sizes. It is also available in custom sizes up to 21 square feet. The car is available in two standard heights as well as custom heights.

## 4 Handrails

Handrails provide safety and styling. All Elvoron cars are equipped with one handrail. Additional handrails can be provided. Available in brushed stainless steel, brass and antique brass.

## 5 Flooring

The Elvoron is designed structurally to allow installation of ceramic tile, laminated or hardwood flooring to match your home decor. Due to the variety of colors and materials available, flooring will be supplied locally by others.

## 6 Accordion Gate

Designed for passenger safety, the accordion gate must be closed before the elevator can travel. Available in many colors and finishes. Manual operation is standard. An optional power operator is available.



## 7 Car Operating Panel

The car operating panel includes floor selection buttons, a digital floor display, emergency stop switch and an optional integrated telephone. Available in brushed stainless steel, brass and antique brass finishes.



# Wall & Ceiling Finishes

Your elevator will become a key feature of your home. Interior design and finish are an important consideration. We offer you a couple of approaches. You can have our cabinet makers build you a beautiful interior from a variety of materials, finishes and panel styles, or you can have your own builder or cabinet maker finish the elevator to match your home cabinetry. In this case you simply order an unfinished car.

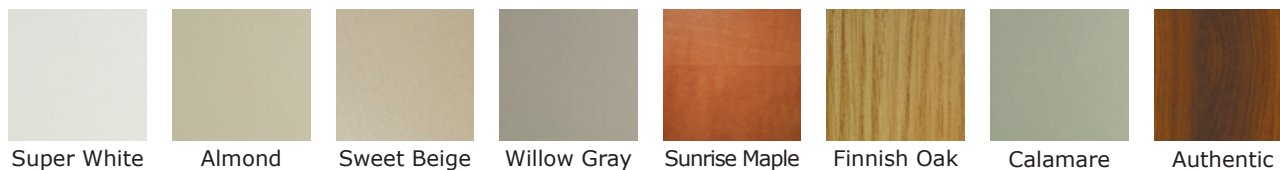
The ceiling is available in Super White Melamine or in wood panelling styled to match the car walls.

## Wood Veneer Selection

Offered in 9 wood species, unfinished or with clear coat satin finish.



**Durable Melamine Selection** Economical, tough and easy to clean. Offered in a choice of 8 standard colors.



## Fine Craftsmanship

Enhance the appearance of your wall and ceiling wood selection with recessed or raised panel detailing. Available in maple, red oak and cherry, as well as other hand crafted wood species on a custom basis.

## Car Finishes to Compliment Your Home Décor

- Melamine panels - choice of 8 colors
- Wood veneer panels - choice of 9 wood types
- Recessed or raised panel cabinetry
- Matching ceiling in melamine or wood
- Recessed halogen ceiling lights - choice of black or white
- Car fixtures in brushed stainless steel, brass or antique brass
- Accordion gates in wood or acrylic vertical panels
- Custom cars in other materials including glass and steel
- Unfinished cars available - install matching cabinetry locally



# Elvoron Car Fixtures - Elegance, Form and Function

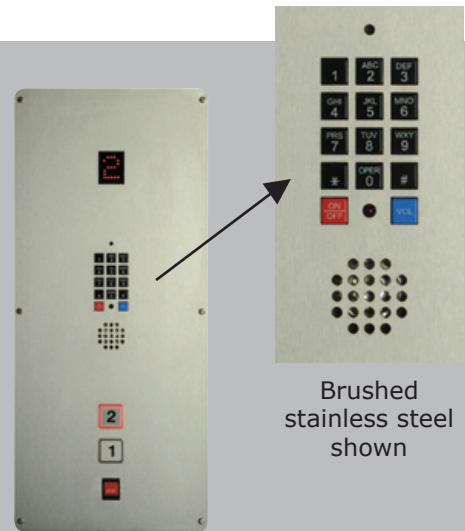
Compliment your elevator car interior design with just the right accent. Our fixture designs are functional with clean, modern styling. Choose from three metal finishes or have your fixtures custom colored or painted. You can choose one fixture color to match the interior car style, and another for the hall stations, should another color be more suitable for your hallway or room décor. All electrical fixtures are UL or CSA certified.

## Car Operating Panel

The simple and elegant Elvoron operating panel is available in brushed stainless, brass or antique brass finishes. It includes a digital floor display, floor selection buttons and emergency stop button. Floor selection buttons can be fitted with numbers or letters.

## Integrated Emergency Telephone

Ensure passenger safety and security with an integrated telephone that allows two-way voice communication in the event of an emergency. A traditional emergency telephone, located in a separate recessed metal box, is also available. The box cover matches the operating panel.



Brushed stainless steel shown

## Decorative Halogen Ceiling Lighting

All Elvoron cars are equipped with 4 recessed low-voltage halogen light fixtures. They illuminate automatically when the car gate is opened. An emergency backup power system will keep them illuminated in the event of a power failure. Available in white or black.



White



Black

## Green Thinking

*Did you know that the Elvoron Hydraulic Drive can be operated using environmentally friendly biodegradable hydraulic fluid?*

*Did you know that the Elvoron In-Line Geared Drive uses a direct drive electric motor and does not require any hydraulic fluid at all?*



Antique Brass



Brass



Brushed Stainless Steel

## Handrail Choices

All Elvoron cars are equipped with one handrail on the control wall. They are available in three finishes or can be customized. Additional handrails can be mounted on the other car walls for extra passenger security.



Antique Brass    Brass    Brushed Stainless Steel

## Hall Stations

Elvoron hall station buttons illuminate when pushed. The push button itself is always made of stainless steel for maximum durability. Wall plates are available in three finishes.



Keyed Hall Station

## Security Key Control

For increased safety and security, an optional key switch allows the entire elevator to be deactivated. Key switches can also be custom designed to deactivate only certain hall stations or to control access to certain floors.



## Matching Doors

The Elvoron HR uses residential swing doors selected to match the doors in your home. These are supplied by others. During the installation of your elevator the doors are fitted with special interlocks that allow them to open only when the elevator car is at the same landing.

The doors can be equipped with an optional automatic door operator.



## Accordion Gates

All cars are equipped with solid accordion gates. The gates are electrically supervised to prevent the elevator from operating unless the gate is closed. The standard accordion gate is manually opened and closed by the passenger. It can be equipped with an optional power gate operator. Available in wood and acrylic panels. Acrylic panels are framed in brass, antique brass or silver finishes.

Silver accordion gate frame with clear acrylic panels



Standard wood veneer panel finishes

**Technical Information:**

**Car Sizes:**

- 36" x 48" (914mm x 1219mm)
- 36" x 54" (914mm x 1372mm)
- 36" x 60" (914mm x 1524mm)

Custom sizes available

84" Height standard, 96" optional

**Overhead Clearance Required (84" Car):**

- 96" (2.4 m)
- 108" (2.7 m) for In-Line Drive with Controller mounted above rails

Note: Measured from finished upper floor

**Rated Load:**

- 750 lbs (340 kg) Optional: 1,000 lbs (455 kg)

**Speed:**

40 ft/min (12.2 meters/min) nominal speed

**Travel Range:**

Up to 50 feet (15.2 meters)

**Stops:**

Up to 6 stops

**Controls:**

- Fully automatic push button operation
- Digital floor indicator in car
- Automatic car lighting upon entry
- Illuminated push buttons

**Safety Features:**

- Manual lowering capability
- Safety brake system
- Hall door interlocks, gate safety switch
- Emergency stop and alarm
- Solid accordion gate in car

**Hydraulic Drive System:**

- 1:2 cable hydraulic drive:
- Quiet submersed pump and motor
- Two-speed valve for smooth start and stop

**In-Line Drive System:**

- 2 HP geared direct drive motor
- Variable frequency drive for smooth start and stop

**Power Requirements:**

- 230 VAC single phase
- Optional 208 VAC 3 phase (Hydraulic Drive only)

**Popular Options:**

- Keyed hall stations
- Emergency telephone - integrated
- Automatic car gate operator

**Warranty:**

Two year standard warranty, with an option to extend the warranty to seven years

©Garaventa Lift. As we are continuously improving our products, specifications outlined in this brochure are subject to change without notice. Due to the nature of the printing process, colours shown in the brochure may not be an accurate representation of the actual product.

37156-E-PB

# ELVORON Home Elevator

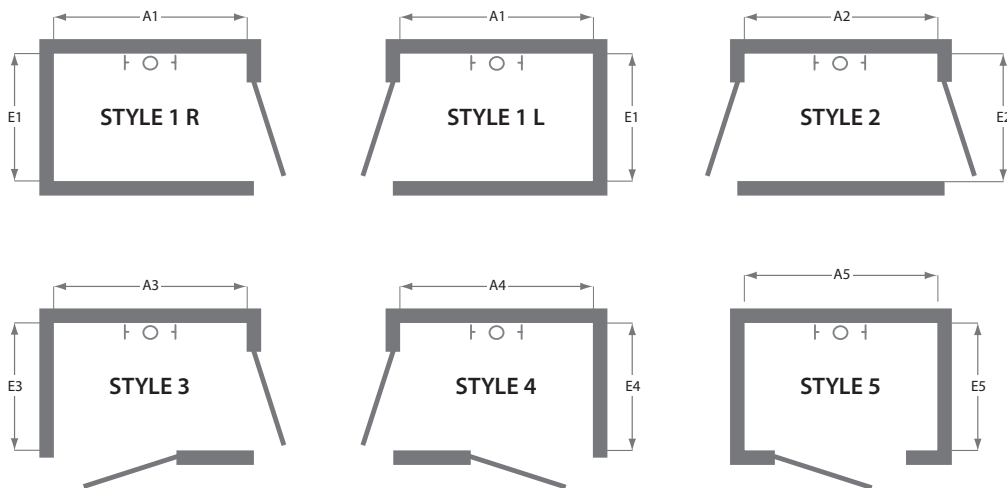
**Need Design Assistance?**

**Call your local Garaventa Lift representative or our Design Hotline at 1.800.663.6556**

Elvoron Home Elevators are sophisticated elevating systems designed specifically for use in private residences. The system fits within a vertical elevator hoistway connecting the floors to be serviced.

The elevator stops level with the bottom floor, thus a small pit is required. The recommended pit depth is 8" (200mm) although shallower pit depths are feasible.

## Entry / Exit Configurations



## Clear Inside Hoistway Dimensions (custom sizes available)

Car Size	A1	E1	A2	E2	A3	E3	A4	E4	A5	E5
36" x 48" (914 x 1219)	56 1/4" (1429)	50" (1270)	54 3/4" (1391)	50" (1270)	56 1/4" (1429)	53 7/8" (1368)	56 1/4" (1429)	53 7/8" (1368)	54 1/4" (1378)	53 7/8" (1368)
36" x 54" (914 x 1372)	62 1/4" (1581)	50" (1270)	60 3/4" (1543)	50" (1270)	62 1/4" (1581)	53 7/8" (1368)	62 1/4" (1581)	53 7/8" (1368)	60 1/4" (1530)	53 7/8" (1368)
36" x 60" (914 x 1524)	68 1/4" (1734)	50" (1270)	66 3/4" (1695)	50" (1270)	68 1/4" (1734)	53 7/8" (1368)	68 1/4" (1734)	53 7/8" (1368)	66 1/4" (1683)	53 7/8" (1368)

## Garaventa Lift

Phone: 1+604.594.0422  
Toll Free: 1.800.663.6556  
Fax: 1+604.594.9915

Email: [productinfo@garaventlift.com](mailto:productinfo@garaventlift.com)  
Web site: [www.garaventlift.com](http://www.garaventlift.com)



Creating An Accessible World



Authorized Garaventa Lift Representative

